




-  One-stop shop
-  On-time delivery
-  Independent technical advice



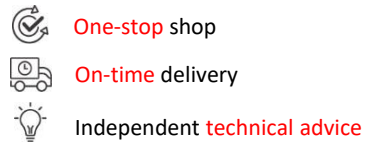
---

## APP CONNECTORS

---



Anderson Power Products® (APP®), is an international leader in high power interconnect solutions. In 1877, Anderson began as a small company in Boston, MA making innovative trolley and railway power designs. Today as a subsidiary of IDEAL® Industries APP connectors are used around the world across many markets including: Telecom & IT Equipment, Motive Power, and Alternative Energy. APP offers a range of connectors to meet power, signal, & ground needs in protected or environmentally exposed applications.



---

## E series

---

The Anderson™ family of Euro Battery Connectors (EBC) are expertly designed for ease of use and incorporate an innovative contact carrier to simplify assembly. The EBC connectors include the industry standard 80, 160, and 320 sizes, all in accordance with DIN 43589-1. Design and materials offer performance that meets or exceeds all the requirements of EN1175-1. All materials chosen are RoHS compliant and selected to ensure years of reliability in adverse industrial environments. These attributes make the EBC DIN connectors the ideal choice for a wide range of industrial applications in the Material Handling, Battery Charging, Utility Vehicles, Motive Power, and Sweeper/Scrubbers markets amongst many others.



**E-80**

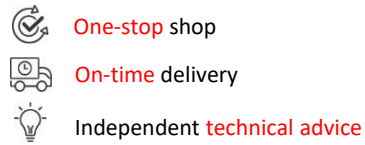


**E-160**

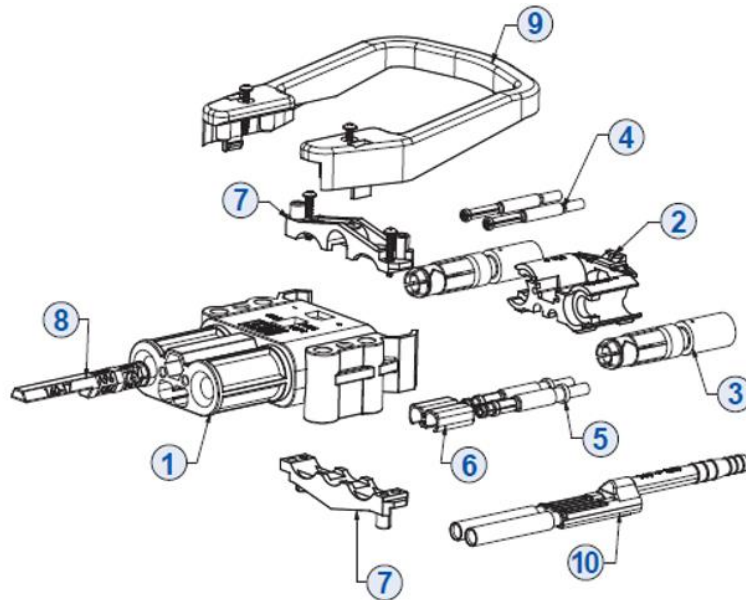


**E-320**





## E80






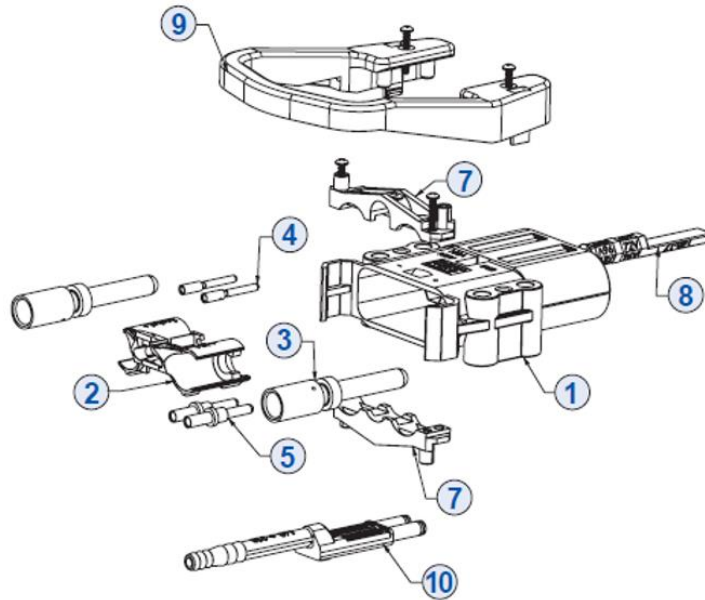
## Female connector E80

Item	Ordering code	Description
1+2+6+7+8	E80500-0009	Housing APP type "E" 80 – Female – Grey Coding Pin
3	EC80-1110 EC80-1116 EC80-1125 EC80-1135	Main Contact APP DIN 80 Female – 10 mm <sup>2</sup> (8 AWG) Main Contact APP DIN 80 Female – 16 mm <sup>2</sup> (6 AWG) Main Contact APP DIN 80 Female – 25 mm <sup>2</sup> (4 AWG) Main Contact APP DIN 80 Female – 35 mm <sup>2</sup> (2 AWG)
4	EHC80-33	Upper Auxiliary Contact APP DIN type 80 "E" Female – 1,5 mm <sup>2</sup>
5*	EPC80-31	Lower Pilot Auxiliary Contact APP DIN type 80 "E" Female – 1,5 mm <sup>2</sup>
6	NA	Not applicable on E80
8	EVKS80-9 EVKD80-17	Coding Pin 80 E Grey – Wet Coding Pin 80 E Green – Dry
9	EHDL80-8 EHDL80-8-R	Handle APP DIN 80 Low Profile with 2 screws Red Handle APP DIN 80 Low Profile with 2 screws
10*	ETAT80-21	Air Adapter APP DIN type 80 – Female



\* Lower pilot auxiliary contacts use the same housing location as air tubes so they cannot be used together

-  One-stop shop
-  On-time delivery
-  Independent technical advice



**Male connector E80**

Item	Ordering code	Description
1+2+7+8	E80400-0009	Housing APP type "E" 80 – Male – Grey Coding Pin
3	EC80-1010 EC80-1016 EC80-1025 EC80-1035	Main Contact APP DIN 80 Male – 10 mm <sup>2</sup> (8 AWG) Main Contact APP DIN 80 Male – 16 mm <sup>2</sup> (6 AWG) Main Contact APP DIN 80 Male – 25 mm <sup>2</sup> (4 AWG) Main Contact APP DIN 80 Male – 35 mm <sup>2</sup> (2 AWG)
4	EHC80-32	Upper Auxiliary Contact APP DIN type 80 "E" Male – 1,5 mm <sup>2</sup>
5*	EPC80-30	Lower Pilot Auxiliary Contact APP DIN type 80 "E" Male – 2,5 mm <sup>2</sup>
8	EVKS80-9 EVKD80-17 EVKU80-19	Coding Pin 80 A Grey – Wet Coding Pin 80 A Green – Dry Coding Pin 80 A Yellow – Universal
9	EHDL80-8 EHDL80-8-R	Handle APP DIN 80 Low Profile with 2 screws Red Handle APP DIN 80 Low Profile with 2 screws
10*	ETAT80-20	Air Adapter APP DIN 80 – Male



\* Lower pilot auxiliary contacts use the same housing location as air tubes so they cannot be used together



One-stop shop



On-time delivery



Independent technical advice



**Ordering code**

Example:

**E80535-1009**

Series: \_\_\_\_\_

E80

Gender: \_\_\_\_\_

4 – Male

5 – Female

Main contacts: \_\_\_\_\_

00 – Non – order separately

10 – 10 mm<sup>2</sup> (8 AWG)

16 – 16 mm<sup>2</sup> (6 AWG)

25 – 25 mm<sup>2</sup> (4 AWG)

35 – 35 mm<sup>2</sup> (2 AWG)

Handle: \_\_\_\_\_

0 – None

1 – Black\*

2 – Red\*

\*E80 comes with the low profile T handle.

Coding key: \_\_\_\_\_

0 – Grey, wet cell

2 – Green, dry cell

3 – Yellow, universal (only on male housing)

Auxiliary contacts & Air Tubes: \_\_\_\_\_

0 – None

1 – Lower pilot auxiliary contacts

2 – Upper auxiliary contacts

4 – Lower pilot auxiliary & upper auxiliary contacts

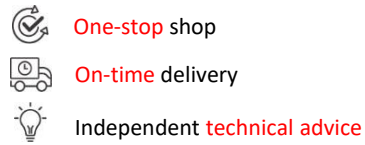
5 – Air Tube

6 – Air Tube & Upper auxiliary contacts

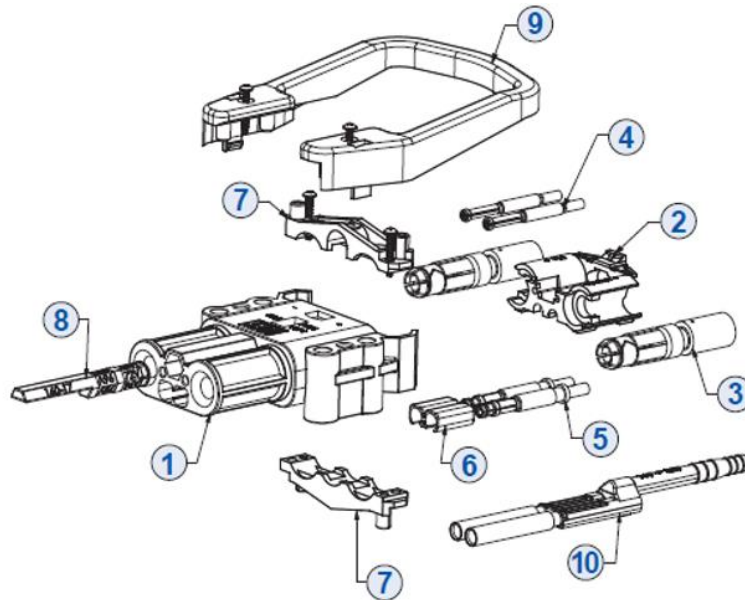
Packing: \_\_\_\_\_


9 – Individual

8 – Bulk






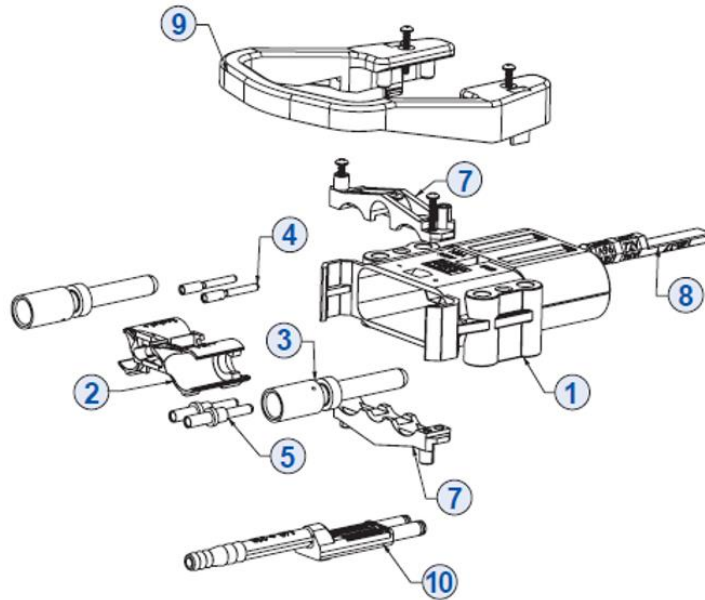
## E160



<b>Female connector E160</b>			
Item	Ordering code	Description	
1+2+6+7+8	E16500-0009	Housing APP type "E" 160 – Female – Grey Coding Pin	
3	EC160-1116 EC160-1125 EC160-1135 EC160-1150	Main Contact APP DIN 160 Female – 16 mm <sup>2</sup> (6 AWG) Main Contact APP DIN 160 Female – 25 mm <sup>2</sup> (4 AWG) Main Contact APP DIN 160 Female – 35 mm <sup>2</sup> (2 AWG) Main Contact APP DIN 160 Female – 50 mm <sup>2</sup> (1 to 1/0 AWG)	
4	EHC160-33	Upper Auxiliary Contact APP DIN type 160 "E" Female – 4,0 mm <sup>2</sup>	
5*	EPC160-13	Lower Pilot Auxiliary Contact APP DIN 160/320 "E" Female – 6,00 mm <sup>2</sup>	
6	EACH320-38	Auxiliary Contact Holder APP DIN 160/320	
8	EVKS160-9 EVKD160-17	Coding Pin 160/320 E Grey – Wet Coding Pin 160/320 E Green – Dry	
9	EHDL160-320-H EHDL160-320-L	Handle APP DIN 160/320 High Profile with 2 screws Handle APP DIN 160/320 Low Profile with 2 screws	
10*	ETAT160-21	Air Adapter APP DIN type 160 – Female	

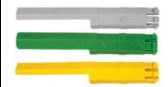
\* Lower pilot auxiliary contacts use the same housing location as air tubes so they cannot be used together

-  One-stop shop
-  On-time delivery
-  Independent technical advice



**Male connector E160**

Item	Ordering code	Description
1+2+7+8	E16400-0009	Housing APP type "E" 160 – Male – Grey Coding Pin
3	EC160-1016 EC160-1025 EC160-1035 EC160-1050	Main Contact APP DIN 160 Male – 16 mm <sup>2</sup> (6 AWG) Main Contact APP DIN 160 Male – 25 mm <sup>2</sup> (4 AWG) Main Contact APP DIN 160 Male – 35 mm <sup>2</sup> (2 AWG) Main Contact APP DIN 160 Male – 50 mm <sup>2</sup> (1 to 1/0 AWG)
4	EHC160-32	Upper Auxiliary Contact APP DIN type 160 "E" Male – 4,0 mm <sup>2</sup>
5*	EPC160-12	Lower Pilot Auxiliary Contact APP DIN 160/320 "E" Male – 6,0 mm <sup>2</sup>
8	EVKS160-9 EVKD160-17 EVKU160-19	Coding Pin 160/320 A Grey – Wet Coding Pin 160/320 A Green – Dry Coding Pin 160/320 A Yellow – Universal
9	EHDL160-320-H EHDL160-320-L	Handle APP DIN 160/320 High Profile with 2 screws Handle APP DIN 160/320 Low Profile with 2 screws
10*	ETAT160-20	Air Adapter APP DIN 160 – Male



\* Lower pilot auxiliary contacts use the same housing location as air tubes so they cannot be used together



One-stop shop






On-time delivery



Independent technical advice



**Accessories E160**

Picture	Ordering code	Description
	993G4 994G4	Manual Release E160/320 with hardware kit – Battery Manual Release E160/320 with hardware kit – Charger/Truck
	A320LP-MK	Latch Plate E160/320
	A320HL-MK	Handle & Lever Assembly E160/320





One-stop shop



On-time delivery

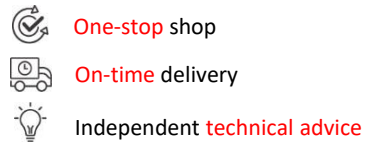


Independent technical advice

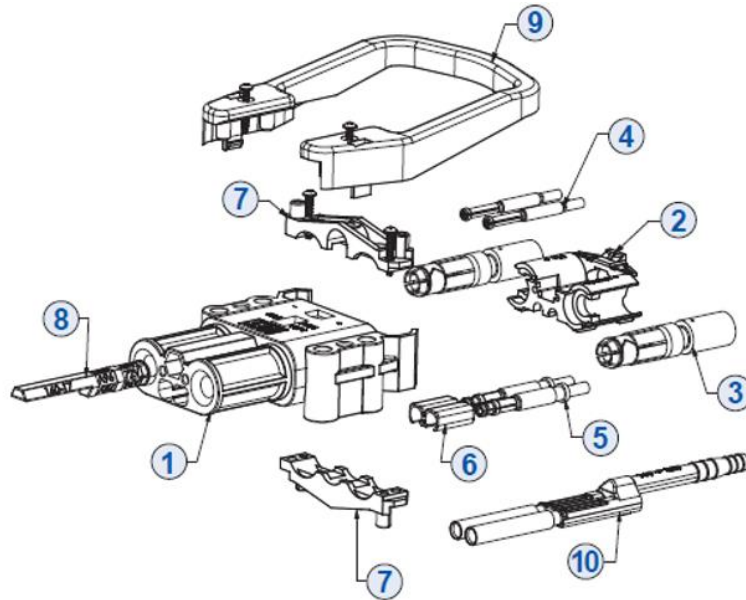


**Ordering code**

Example:	<b>E16550-1009</b>
Series: _____ E160	
Gender: _____ 4 – Male 5 – Female	
Main contacts: _____ 00 – Non – order separately 16 – 16 mm <sup>2</sup> (6 AWG) 25 – 25 mm <sup>2</sup> (4 AWG) 35 – 35 mm <sup>2</sup> (2 AWG) 50 – 50 mm <sup>2</sup> (1/0 AWG to 1 AWG)	
Handle: _____ 0 – None 1 – Black* *E160 comes standard with the low profile handle.	
Coding key: _____ 0 – Grey, wet cell 2 – Green, dry cell 3 – Yellow, universal (only on male housing)	
Auxiliary contacts & Air Tubes: _____ 0 – None 1 – Lower pilot auxiliary contacts 2 – Upper auxiliary contacts 4 – Lower pilot auxiliary & upper auxiliary contacts 5 – Air Tube 6 – Air Tube & Upper auxiliary contacts	
Packing: _____ 9 – Individual 8 – Bulk	



## E320






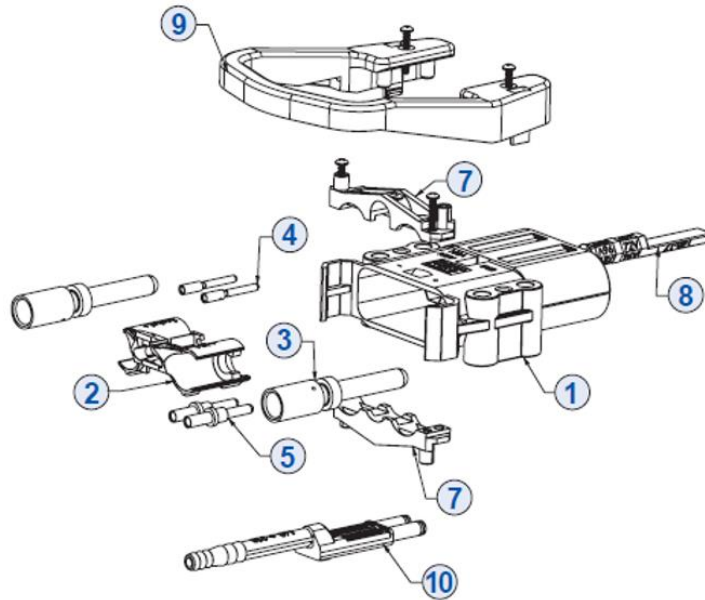
### Female connector E320

Item	Ordering code	Description
1+2+6+7+8	E32500-0009	Housing APP type "E" 320 – Female – Grey Coding Pin
3	EC320-1150 EC320-1170 EC320-1195 EC320-1104	Main Contact APP DIN 320 Female – 50 mm <sup>2</sup> (1 to 1/0 AWG) Main Contact APP DIN 320 Female – 70 mm <sup>2</sup> (2/0 to 3/0 AWG) Main Contact APP DIN 320 Female – 95 mm <sup>2</sup> (3/0 to 4/0 AWG) Main Contact APP DIN 320 Female – 120 mm <sup>2</sup> (4/0 AWG)
4	EHC320-35	Upper Auxiliary Contact APP DIN type 320 "E" Female – 4,0 mm <sup>2</sup>
5*	EPC160-13	Lower Pilot Auxiliary Contact APP DIN 160/320 "E" Female – 6,00 mm <sup>2</sup>
6	EACH320-38	Auxiliary Contact Holder APP DIN 160/320
8	EVKS160-9 EVKD160-17	Coding Pin 160/320 E Grey – Wet Coding Pin 160/320 E Green – Dry
9	EHDL160-320-H EHDL160-320-L	Handle APP DIN 160/320 High Profile with 2 screws Handle APP DIN 160/320 Low Profile with 2 screws
10*	ETAT320-21	Air Adapter APP DIN type 320 – Female



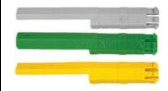
\* Lower pilot auxiliary contacts use the same housing location as air tubes so they cannot be used together

-  One-stop shop
-  On-time delivery
-  Independent technical advice






**Male connector E320**




Item	Ordering code	Description
1+2+7+8	E32400-0009	Housing APP type "E" 320 – Male – Grey Coding Pin
3	EC320-1050 EC320-1070 EC320-1095 EC320-1004	Main Contact APP DIN 320 Male – 50 mm <sup>2</sup> (1 to 1/0 AWG) Main Contact APP DIN 320 Male – 70 mm <sup>2</sup> (2/0 to 3/0 AWG) Main Contact APP DIN 320 Male – 95 mm <sup>2</sup> (3/0 to 4/0 AWG) Main Contact APP DIN 320 Male – 120 mm <sup>2</sup> (4/0 AWG)
4	EHC320-34	Upper Auxiliary Contact APP DIN type 320 "E" Male – 4,0 mm <sup>2</sup>
5*	EPC160-12	Lower Pilot Auxiliary Contact APP DIN 160/320 "E" Male – 6,0 mm <sup>2</sup>
8	EVKS160-9 EVKD160-17 EVKU160-19	Coding Pin 160/320 A Grey – Wet Coding Pin 160/320 A Green – Dry Coding Pin 160/320 A Yellow – Universal
9	EHDL160-320-H EHDL160-320-L	Handle APP DIN 160/320 High Profile with 2 screws Handle APP DIN 160/320 Low Profile with 2 screws
10*	ETAT320-20	Air Adapter APP DIN 320 – Male



\* Lower pilot auxiliary contacts use the same housing location as air tubes so they cannot be used together

-  One-stop shop
-  On-time delivery
-  Independent technical advice



<b>Accessories E320</b>		
<b>Picture</b>	<b>Ordering code</b>	<b>Description</b>
	993G4 994G4	Manual Release E160/320 with hardware kit – Battery Manual Release E160/320 with hardware kit – Charger/Truck
	A320LP-MK	Latch Plate E160/320
	A320HL-MK	Handle & Lever Assembly E160/320



One-stop shop



On-time delivery



Independent technical advice



**Ordering code**

Example:

**E32550-1009**

Series: \_\_\_\_\_

E320

Gender: \_\_\_\_\_

4 – Male

5 – Female

Main contacts: \_\_\_\_\_

00 – Non – order separately

50 – 50 mm<sup>2</sup> (1/0 AWG to 1 AWG)

70 – 70 mm<sup>2</sup> (2/0 AWG to 3/0 AWG)

95 – 95 mm<sup>2</sup> (3/0 AWG to 4/0 AWG)

04 – 120 mm<sup>2</sup> (4/0 AWG)

Handle: \_\_\_\_\_

0 – None

1 – Black\*

\*E320 comes standard with the high profile handle.

Coding key: \_\_\_\_\_

0 – Grey, wet cell

2 – Green, dry cell

3 – Yellow, universal (only on male housing)

Auxiliary contacts & Air Tubes: \_\_\_\_\_

0 – None

1 – Lower pilot auxiliary contacts

2 – Upper auxiliary contacts

4 – Lower pilot auxiliary & upper auxiliary contacts

5 – Air Tube

6 – Air Tube & Upper auxiliary contacts

Packing: \_\_\_\_\_

9 – Individual

8 – Bulk